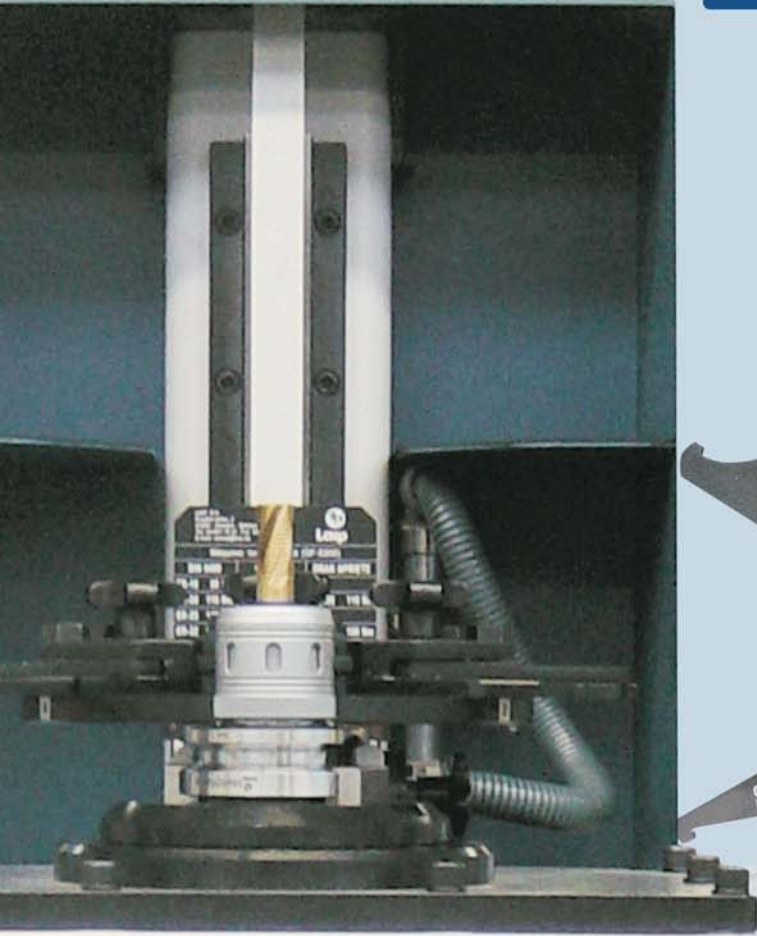


Lock
&
Unlock

Nut tightening and untightening
machine

Lock & Unlock



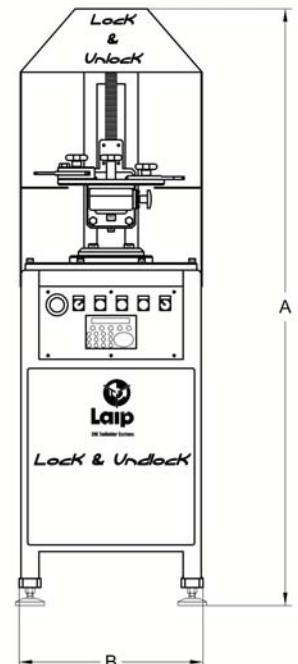
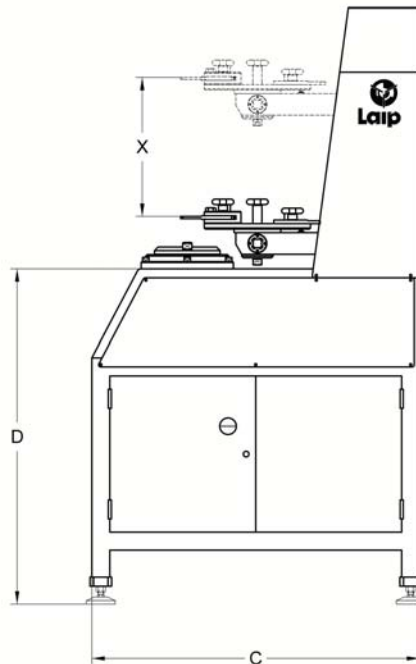
www.laip.es

- Easy to use.
- Useful for all kind of chucks:
DIN 6388, DIN 6499 (ER), Great Power, etc..
- Useful for all kind of shanks:
SK, BT, HSK, etc..
- Operation in manual or automatic mode.
- Torque force range from **1 Nm. to 410 Nm.**

LAIP S.A. C/Arzubia, 2 - P.O. box 18 - Tel. +34 94 621 76 90
Fax. +34 94 681 65 08 E-mail: ventas@laip.es
E-48220 ABADIANO (BIZKAIA) - SPAIN

M 013 81 01 01 00 00

NUT TIGHTENING AND UNTIGHTENING MACHINE.



(A) Height	(B) Width	(C) Length	(D) Height	(X) Course approx.	Power supply	Power	Weight	COD.
1.700	550	950	900	400	3 AC 400V P+N+PE / 16A	7,5 Kw.	360 K.	M 013 81 01 01 00 00

Design:

- Vertical and compact tightening and untightening machine composed by: a central column with counter weight, base for toolholders and motor.
- Vertical movement with linear way.

Scope:

- Specially designed to tighten and untighten nuts of all kind of chucks: **DIN-6388**, **DIN-6499 (ER)** and **Great Power**.
- Useful for all kind and sizes of shank: **SK**, **BT**, **HSK**, etc...
- Possibility of working in manual or automatic mode.
- Input of torque force data through frontal display.
- Versatility thanks to the use of reducers. (see LAIP general catalogue).
- Six different positions to put keys with automatic storage of the torque force.

E 004 99 04 03 06
09

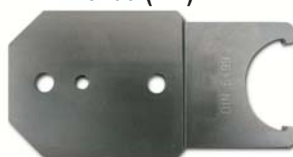
KEYS FOR TIGHTENING AND UNTIGHTENING MACHINE.



DIN-6388



DIN-6499 (ER)



DIN-6499 (ER)



Size	D nut	COD
2 to 16	43	E 004 99 04 09 08 10
2 to 20	50	E 004 99 04 09 09 10
2 to 25	60	E 004 99 04 09 11 10
2 to 32	72	E 004 99 04 09 12 10
2 to 40	85	E 004 99 04 09 13 10
G.Power 20	46	E 004 99 04 09 10 10
G.Power 32	62	E 004 99 04 09 14 10

Size	D nut	COD
ER-16	28	E 004 99 04 03 03 10
ER-20	35	E 004 99 04 03 04 10
ER-25	42	E 004 99 04 03 05 10
ER-32	50	E 004 99 04 03 06 10
ER-40	63	E 004 99 04 03 07 10
ER-50	38	E 004 99 04 03 08 10

Size	D nut	COD
ER-16	28	E 004 99 04 06 25 10